

USERS GUIDE

S5-LCD



Contents

Introduction	1
1. Safety Notes	2
2. Assembly	2
3. Product Size	3
4. Working Voltage and Connection	3
4.1 Working Voltage	3
4.2 Connection	3
5. Functions and Key Pad	4
5.1 Functions	4
5.2 Control and Setting Items	5
5.3 Display Area	5
5.4 Settings	6
5.5 Communications Protocol	7
5.6 Key Pad	7
5.7 Error Code	10
5.8 Serial Code	10
6. Quality and Warranty	11
7. Version.....	12

Introduction

Congratulations on purchasing your e-bike smart display. Before use, please read through this manual. It is important to acknowledge all the **WARNINGS, SAFETY NOTES AND INSTRUCTIONS**. This manual will walk you through assembly, settings and operations of Sciwil display products in easy steps, to facilitate operations on your e-bike.

1. Safety Notes

PLEASE TAKE CAUTION WHEN USE, DO NOT PLUG OR UNPLUG THE DISPLAY WHILE YOUR E-BIKE IS POWERED ON.



AVOID CLASHES OR BUMPS TO THE DISPLAY.



DO NOT TEAR THE WATER-PROOF FILM ON THE SURFACE OF THE SCREEN, OTHERWISE THE WATER-TIGHT PERFORMANCE OF THE PRODUCT MAY BE DEGRADED.

DISPLAY WATER-PROOF RATE: IP6



UNAUTHORIZED ADJUSTMENT TO DEFAULT SETTINGS IS NOT SUGGESTED, OTHERWISE NORMAL USE OF YOUR E-BIKE CAN NOT BE GUARANTEED.



WHEN THE DISPLAY PRODUCT DOES NOT WORK PROPERLY, PLEASE SEND THE IT FOR AUTHORIZED REPAIR IN TIME.

2. Assembly

Fix the display on the handlebar, adjust it to a proper facing angle. Make sure your e-bike is powered off, then plug the connector on the display to the connector on the controller (bus) to finish standard assembly.

3. Product Size

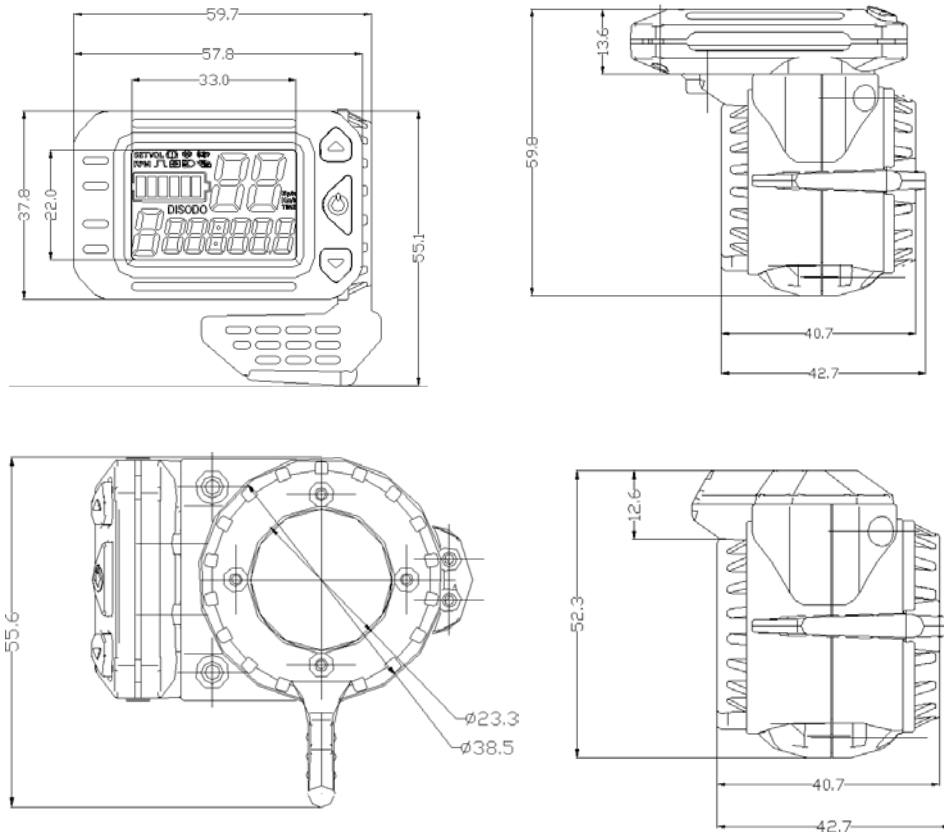
Material

Shell Material: ABS

Screen Cover Material: High Hardness Acrylic (same hardness as tempered glass).

Working Temperature: -20°C~60°C.

Product Size



4. Working Voltage and Connection

4.1 Working Voltage

DC 24V-60V compatible (can be set on display), other voltage level can be customized.

4.2 Connection



Connector to Controller Display Cable Outlet Connector Display Cable Coupling Connector

Standard Connector Arrangement

Sequence No.	Wire Color	Functions
1	Red (VCC)	Display Power Cable
2	Blue (K)	Controller Power Cable
3	Black (GND)	Display Ground Cable
4	Green (RX)	Display Data Receiving Wire
5	Yellow (TX)	Display Data Sending Wire

Note: Some products may use waterproof connectors, in which case the internal wire arrangements cannot be identified from outside.

5 Functions and Key Pad

5.1 Functions

There are multiple items displayed on S5 as follows:

- Battery Level

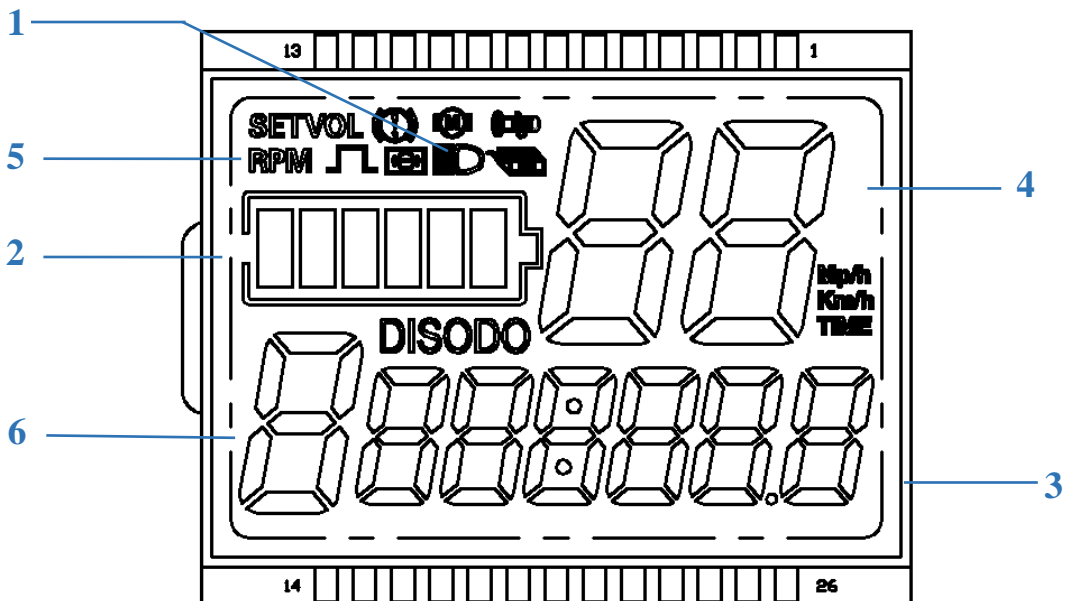
- Speed (average, maximum, current speed)
- Distance (single Trip, total ODO)
- PAS Level
- Error Indication
- Cruise
- Brake
- Headlight Indication

5.2 Control and Setting Items

Power Switch, Light Switch, Walk Mode, Real-time Cruise, Wheel Size Setting, PAS Level PWM Setting, Speed Limit Setting, Auto-Off Setting.

5.3 Display Area

Overall Interface (displayed within 1s at start)



Introduction of Displayed Items:

1. Headlight
2. Battery Level
3. Versatile Area

Digital Voltage: VOL, Total Distance: ODO, Single Trip Distance: TRIP,

Riding Time: Time,

4. Current Speed: CUR, Maximum Speed: MAX, Average Speed: AVG (km/h or mph)

The display calculates riding speed based on wheel size and signals (need to set magnet numbers for Hall motors). ,

5. Error Indication Area
6. PAS Status Indication Area

5.4 Settings

P01: Backlight Brightness (1: darkest; 3: brightest)

P02: Mileage Unit (0: km; 1: mile)

P03: Voltage Class (24V / 36V / 48V / 60V / 72V)

P04: Auto-Off Time

(0: never, other value means time interval for display auto-off) Unit: minute

P05: Pedal Assist Level

0/3 Gear Mode: Gear 1-2V, Gear 2-3V, Gear 3-4V

1/5 Gear Mode: Gear 1-2V, Gear 2-2.5V, Gear 3-4V, Gear 4-3.5V, Gear 5-4V

P06: Wheel Size (Unit: inch Precision: 0.1)

P07: Motor Magnets Number (for Speed Test; Range: 1-100)

P08: Speed Limit Range: 0-50km/h, no speed limit if set to 50)

1. Communications status (controller-controlled)

The driving speed will be kept constant as the limited value.

Error Value: ± 1 km/h (applicable to both the PAS/throttle mode)

Note: The above-mentioned values are measured by metric unit (kilometers).

When the measuring unit is set to imperial unit (mile), the speed displayed on the panel will be automatically switched to corresponding imperial unit, however the speed limit value in the imperial unit interface won't change accordingly.

P09: Direct Start / Kick-to-Start Setting

0: Direct Start

1: Kick-to-Start

P10: Drive Mode Setting

0: Pedal Assist – The specific gear of the assist drive decides the assist power value. In this status the throttle does not work.

1: Electric Drive – The vehicle is driven by the throttle. In this status the power gear does not work.

2: Pedal Assist + Electric Drive – Electric drive does not work in direct-start status.

P11: Pedal Assist Sensitivity (Range: 1-24)

P12: Pedal Assist Starting Intensity (Range: 0-5)

P13: Magnets Number in Pedal Assist Sensor (5 / 8 / 12pcs)

P14: Current Limit Value (12A by default; Range: 1-20A)

P15: Unspecified

P16: ODO Clearance

Press and hold the up key for 5 seconds and ODO distance will be cleared.

5.5 Communications Protocol: UART

5.6 Key Pad

Key pad position:



There are 3 keys on S5 display. In following introductions:



is called "On/Off" ,



is called "Plus" ,



is called "Minus" .

Operations include short press, press and hold of a single key or two keys:

- ① During riding, press Plus or Minus to change PAS/throttle level.
- ② During riding, press On/Off to switch items displayed in versatile area.

Note: Press and hold of a single key is mainly used for switch mode/on/off status. Press and hold of two keys is used for parameter settings.

(To avoid false operation, short press of two keys is not introduced.)

Operations:

- **Switch On/Off Display**

- Press and hold On/Off to switch on or off the display.
- When the display is on but the static current is under 1 μ A, the display will automatically turn off after 10 minutes (or any set time by P04).

- **Enter/Exit Walk Mode, Cruise Mode and Turn on Headlight:**

- When your e-bike stops, press and hold Minus to enter 6km/h walk mode.
- During riding, press and hold Minus to enter real-time cruise. When in cruise mode, press and hold Minus to exit.
- Press and hold Plus for 3s to turn on/off the headlight.

- **Switch Displayed Items in Versatile Area**

When the display is on, press On/Off to switch displayed items in versatile area.

- **Settings**

- Press and hold Plus and Minus to enter Settings interface. Setting items include: Backlight Brightness, Unit, Voltage Level, Auto-Off Time, PAS Level, Wheel Size, Motor Magnet Numbers, Speed Limit, Direct Start and Kick-to-Start Mode, Drive Mode, PAS Sensitivity, PAS Start Power, PAS Sensor Type, Controller Current Limit, ODO clearance, etc.
- In Settings, press On/Off to switch the above setting items; press Plus or Minus to Set parameter for the current item. The parameter will blink after set, press On/Off To the next item and the previous parameter will be automatically saved.
- Press and hold Plus and Minus to exit Setting, or standby for 10s to save and exit.

5.7 Error Code

Error Code (decimal)	Indications	Note
0	Normal	
1	Reserved	
2	Brake	
3	PAS Sensor Error (riding mark)	Not Realized
4	6km/h Walk Mode	
5	Real-Time Cruise	
6	Low Battery	
7	Motor Error	
8	Throttle Error	
9	Controller Error	
10	Communications Receiving Error	
11	Communications Sending Error	
12	BMS Communications Error	
13	Headlight Error	

5.8 Serial Code

Each Sciwil display product bears a unique Serial Code on the back shell

(as shown in the photo below): 192 2 1 210603011



Explanation to the above Serial Code:

192: Customer Code

2: Protocol Code

1: Program can be overridden (0 means can not be overridden)

210603011: P.O. (purchase order number)

6 Quality and Warranty

In compliance with local laws and normal usage, the limited warranty period covers 24 months after the date of manufacturing (as indicated by the serial number).

The limited warranty shall not be transferred to a third party other than as specified in the agreement with Sciwil.

Other situations may be covered, depending on the agreement between Sciwil and the buyer.

Warranty Exclusions:

1. Sciwil products that have been modified or repaired without authorization
2. Sciwil products that have been used for rental, commercial applications, or competition
3. Damage resulting from causes other than defects in material or manufacturing process, including but not limited to an accident, neglect, improper assembly, improper repair, maintenance alteration, modification, abnormal excessive wear or improper use.

4. Damage due to buyer' s improper transportation or storage, and damage during shipping (the responsible party should be determined using INCOTERMS regulations).
5. Damage to the surface after leaving factory, including shell, screen, buttons, or other appearance parts.
6. Damage to wiring and cables after leaving factory, including breaks and exterior scratch.
7. Failure due to an improper user configuration or unauthorized changes in the relevant accessories parameters, or debugging by the users or the third party.
8. Damage or loss due to force majeure.
9. Beyond the warranty period.

7 **Version**

This display user manual is in compliance with the general software version (V1.0) of Changzhou Sciwil E-Mobility Technology Co., Ltd. There are chances that display products on some e-bikes may have a different software version, which should be subject to the actual version in use.